

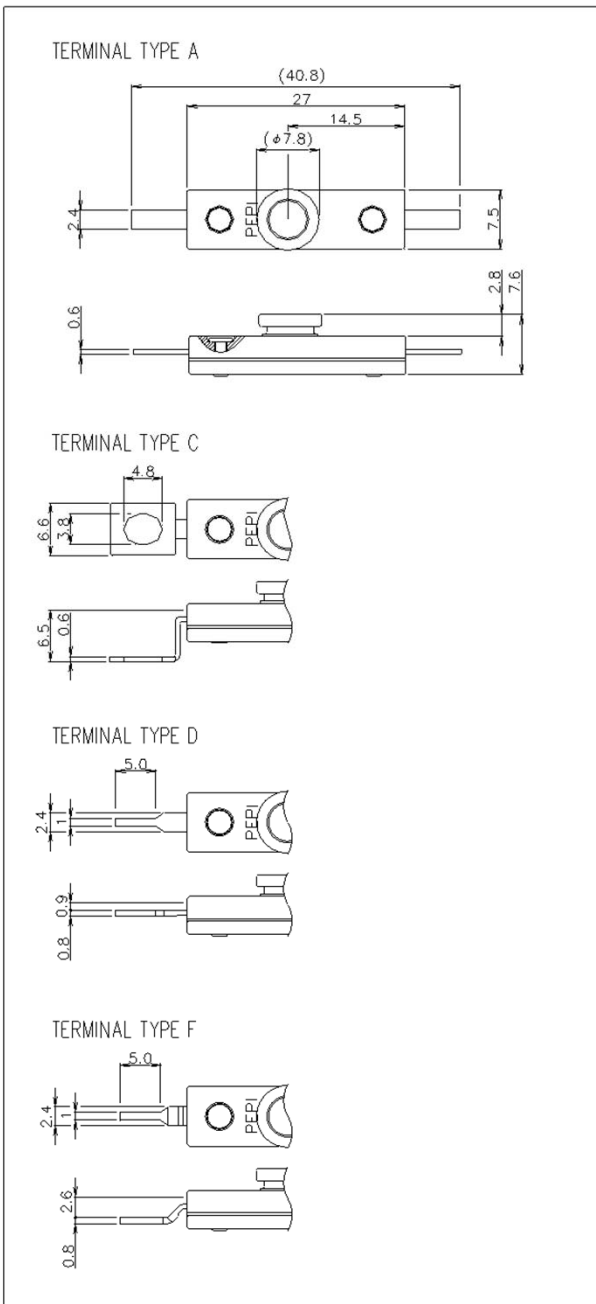


Model H8, H82

Bi-metal type, Single-Pole Single-Throw (SPST), Non-adjustable, Snap action, Open on temperature-rise, Single operation thermostat

Features

- Ceramic case is suitable to use in high temperature application.
- Calibration temperature range is from 160°C to 280°C
- Calibration temperature tolerance is possible from $\pm 5^\circ\text{C}$ to $\pm 10^\circ\text{C}$
(Please consult us in case tolerance less than $\pm 5^\circ\text{C}$)
- Reset temperature is less than -35°C . This prevents the thermostat from resetting under normal operating condition.
- Available with exposed bi-metallic elements for even faster thermal response.
- Custom terminals and mounting of lead wires are available.



Electrical Contact Ratings

Model	Electrical Ratings
H8	250Vac 15A Max resistive load
H82	24Vdc 1A Max resistive load

Calibration Temperature Range

160°C ~ 280°C

Applications

Home appliances, Kitchen appliances, Haircare products, Office automation equipment (laser printers, fax machines, copy machines, etc.), and over temperature protection of heaters in general industries.

Certifications

UL/c-UL, TUV

We come through when the heat is on®

