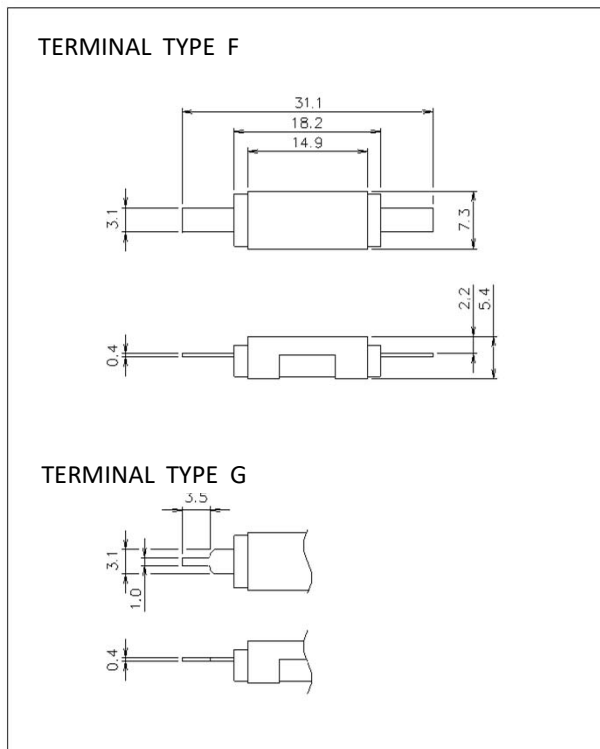


Model H, H1

Bi-metal type, Single-Pole Single-Throw (SPST), Non-adjustable, Snap action, Open on temperature-rise, Single operation thermostat

Features

- Ultra small single operation thermostat with a height of 5.4 mm
- Calibration temperature range is from 160°C to 240°C (Model H is from 160°C to 220°C)
- Calibration temperature tolerance is possible from $\pm 3^\circ\text{C}$ to $\pm 10^\circ\text{C}$ (Please consult us in case tolerance less than $\pm 3^\circ\text{C}$)
- Reset temperature is less than -35°C . This prevents the thermostat from resetting under normal operating condition.
- Can be mounted directly on a heated surface
- Custom terminals and mounting of lead wires are available.



Electrical Contact Ratings

Model	Electrical Ratings
H	36Vdc 1A Max resistive load
H1	250Vac 10A Max resistive load

Calibration Temperature Range

H : 160~220°C
H1 : 160~240°C

Applications

Home appliances, Kitchen appliances, Haircare products, Office automation equipment (laser printers, fax machines, copy machines, etc.), and over temperature protection of heaters, temperature

Certifications

H: UL/c-ul
H1: UL/c-UL, TUV

We come through when the heat is on®

 **Pepi®**
Portage Electric Products, Inc.